

Title:	DS-K1100 Series Card Readers Connect to DS-K2600 Series Access Controllers by Wiegand	Version:	v1.0	Date:	6/21/2017
Product:	Access Control Device	Page:	1 of 5		



DS-K1100 Series Card Readers Connect to DS-K2600 Series Access Controllers by Wiegand

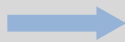
Preparation

Connecting card reader to access controller is mainly applied to swiping card to open the door for entering or exiting. For card reader and access controller in this documents, please check the table below:

Card Reader	Access Controller
DS-K1101M/MK, DS-K1102M/MK, DS-K1103M/MK, DS-K1104M/MK, DS-K1107M/MK, DS-K1108M/MK	DS-K2601, DS-K2602, DS-K2604
DS-K1102E/EK, DS-K1107E/EK, DS-K1108E/EK	DS-K2604

Notice

1. Please cut off power supply before wiring;
2. DS-K1100 Series Card Readers support standard Wiegand 26/34 protocol; about Wiegand cable of card reader, please check the table below:



Color	Description
Red	Power (DC +12V)
Black	GND
Green	W0 (available for Wiegand Protocol)
White	W1 (available for Wiegand Protocol)
Purple	Beep Control (available for Wiegand Protocol)
Brown	Blue/Green LED Control (available for Wiegand Protocol)
Orange	Red LED Control (available for Wiegand Protocol)
Gray	Tamper (available for Wiegand Protocol)
Yellow	RS-485+
Blue	RS-485-

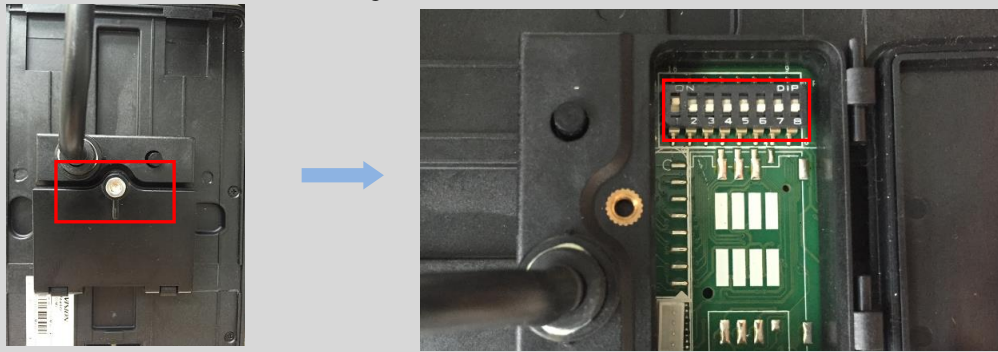
3. Correspondingly, there are wiegand interfaces in DS-K2600 series access controllers;

DS-K2601	DS-K2602	DS-K2604

Title:	DS-K1100 Series Card Readers Connect to DS-K2600 Series Access Controllers by Wiegand	Version:	v1.0	Date:	6/21/2017
Product:	Access Control Device	Page:	2 of 5		



4. Please check the rear panel of card reader and unscrew it, you could find DIP switch module;
The No. of DIP switch from left to right is 1~8:



Description of DIP Switch:

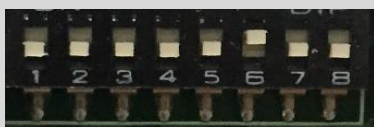
Icon	Description
	Represent 1 in binary mode
	Represent 0 in binary mode

No.	Description	DIP Switch Status
1~4	Address of RS485	1: 1 0: 0
5	Read card No. or file in card(Reserved)	1: read file in card 0: read card No.
6	Wiegand protocol or RS-485 protocol	1: Wiegand protocol 0: RS-485 protocol.
7	Wiegand Protocol (available when No. 6 is 1)	1: Wiegand protocol of 26-bit; 0: Wiegand protocol of 34-bit.
8	Matched Resistance(Reserved) (available for RS-485 protocol)	1: Enable; 0: Disable.

5. We suggest customers choose **RVVP** cable for card reader wiring;

Step 1: DIP Switch

Please set the DIP switch firstly before connecting the card reader, please check the table below:



DIP Switch Status	Reader
0000 0100	Wiegand 34 Protocol
0000 0110	Wiegand 26 Protocol

If customers choose standard W34 protocol, the binary value of the card reader should be 0000 0100;

If customers choose standard W26 protocol, the binary value of the card reader should be 0000 0110;

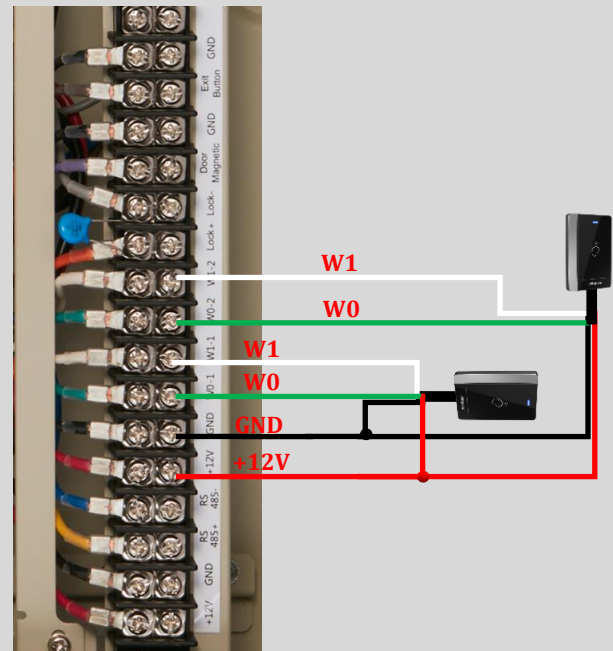
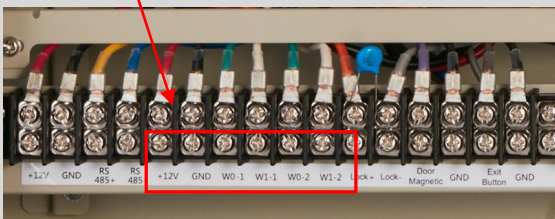
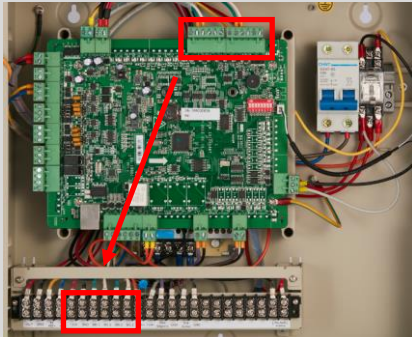
Title:	DS-K1100 Series Card Readers Connect to DS-K2600 Series Access Controllers by Wiegand	Version:	v1.0	Date:	6/21/2017
Product:	Access Control Device	Page:	3 of 5		



Step 2: Wiegand Wiring

DS-K2601

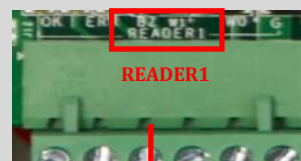
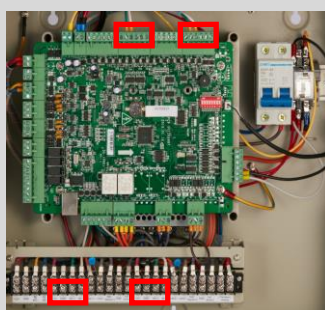
We extend Wiegand interface to the wiring distribution for easier cable connection, you can find +12V, GND, W0-1, W1-1, W0-2 and W1-2 interfaces as following picture:



Interface	Reader
+12V & GND	Power supply for reader
W0-1 & W1-1	Entrance card reader1
W0-2 & W1-2	Exit card reader2

DS-K2602

For double-door access controller, there are four wiegand interfaces in DS-K2602 access controller, but we only extend two wiegand interfaces to the wiring distribution for easier cable connection, because of space limitation; for details of the correspondence, please check following pictures and table:

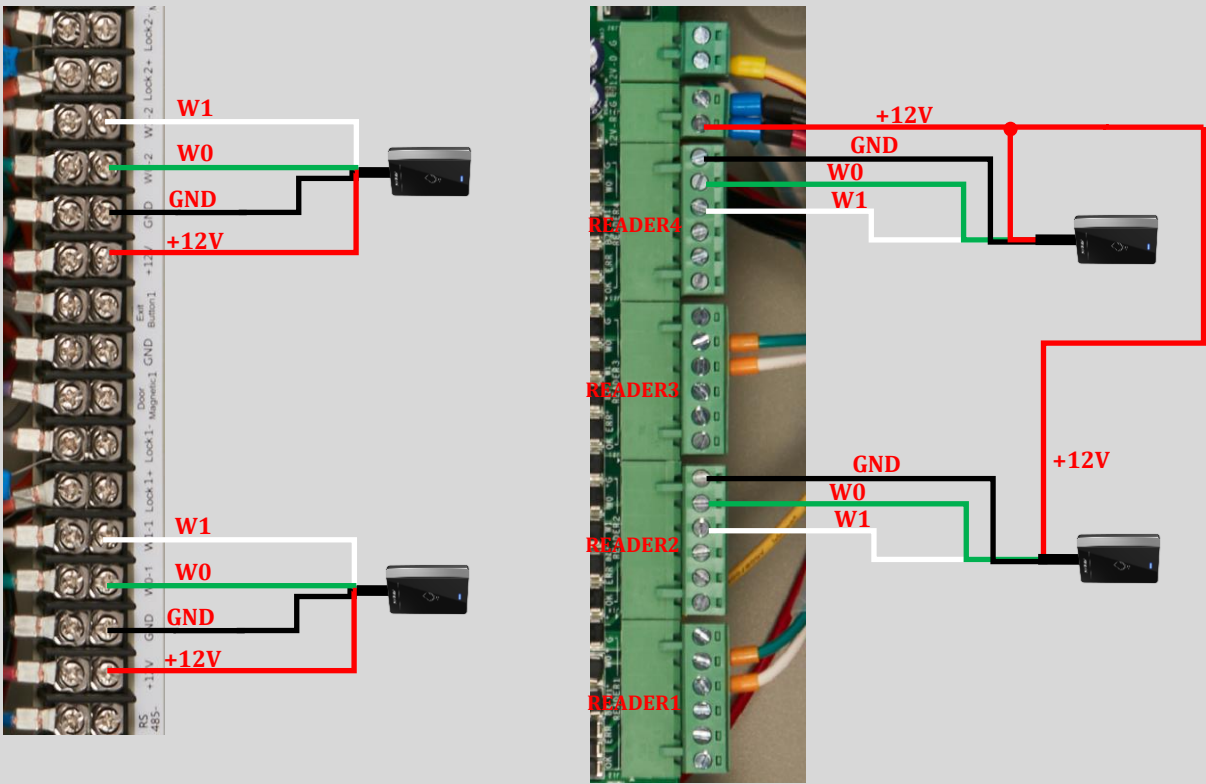


Interface	Wiring Distribution	Door	Reader
READER 1	+12V, GND, W0-1 & W1-1	Door 1	Entrance card reader1
READER 2			Exit card reader2
READER 3	+12V, GND, W0-2 & W1-2	Door 2	Entrance card reader3
READER 4			Exit card reader4

Title:	DS-K1100 Series Card Readers Connect to DS-K2600 Series Access Controllers by Wiegand	Version:	v1.0	Date:	6/21/2017
Product:	Access Control Device	Page:	4 of 5		



If customers want to swipe card for entering and exiting, we suggest customer connect entrance card reader to W0-1/W1-1 and W0-2/W1-2 interfaces in wiring distribution of access controller, and connect exit card reader to READER2 and READER4 in mainboard of access controller.

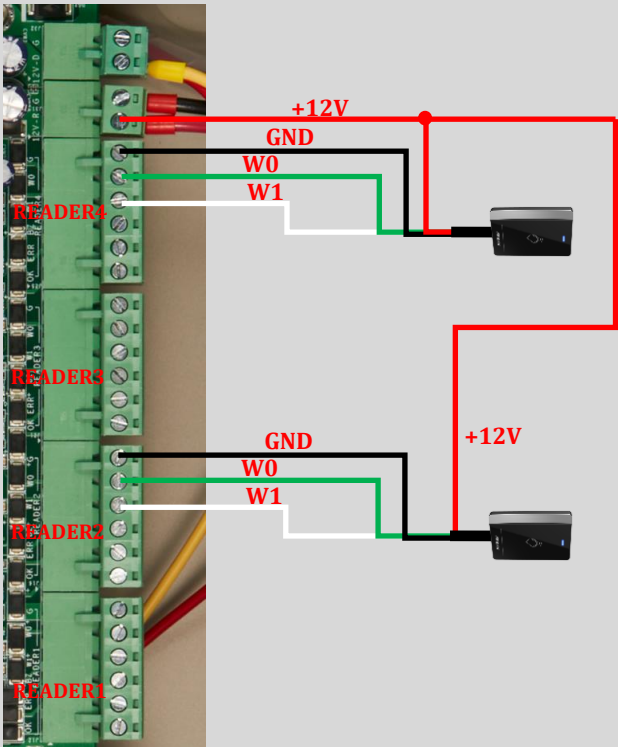


Note: We can also connect exit button to wiring distribution in access controller for exiting.

DS-K2604

For four-door access controller, there are four wiegand interfaces in mainboard of access controller and these four wiegand interfaces are designed for entrance card reader; And there are no extended wiegand interfaces because of space limitation.

Interface	Door	Reader
READER 1	Door 1	Entrance card reader1
READER 2	Door 2	Entrance card reader3
READER 3	Door 3	Entrance card reader5
READER 4	Door 4	Entrance card reader7



Title:	DS-K1100 Series Card Readers Connect to DS-K2600 Series Access Controllers by Wiegand	Version:	v1.0	Date:	6/21/2017
Product:	Access Control Device	Page:	5 of 5		



First Choice for Security Professionals

***HIK*VISION Technical Support**